

# PITELUMEC

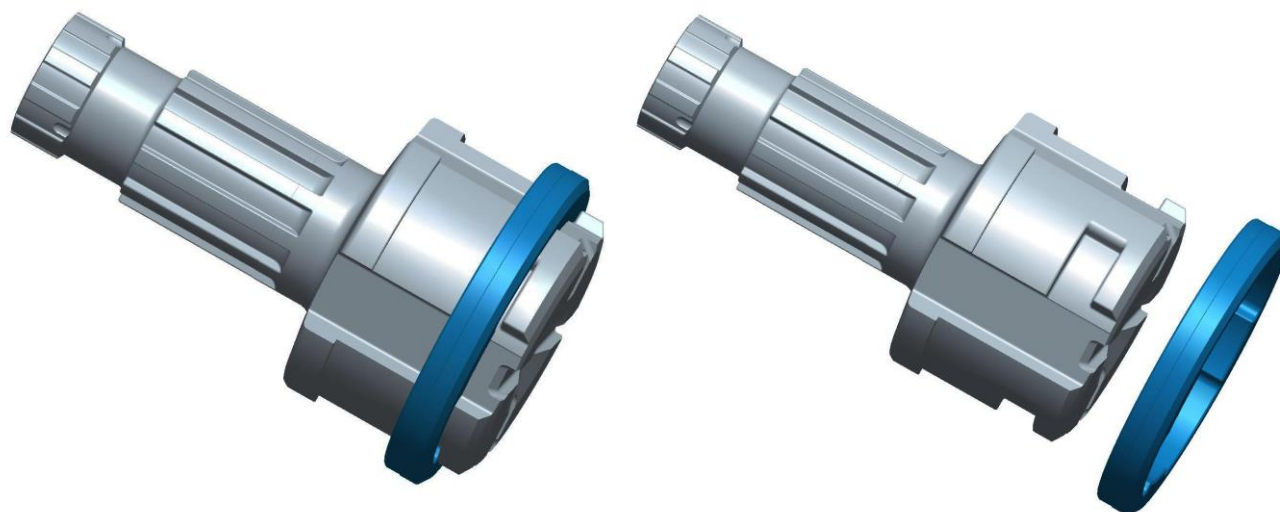
## THE PRING-E 190 RING BIT CASING SYSTEM



---

**CASING SIZE 219MM OD X 206MM ID DRILLING DIA. 235MM**

# PNEUMEC PRING-E 190 CASING SYSTEM



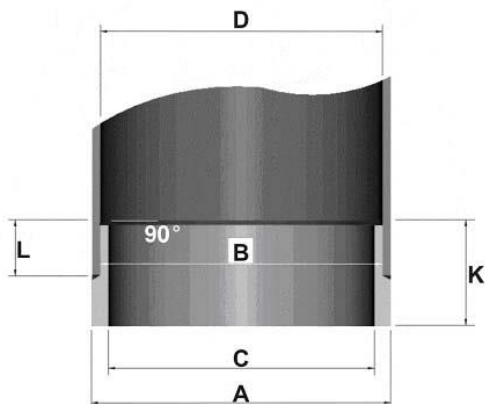
## PRING-E 190 PARTS LIST

1.	DRIVER BIT DHD360 SHANK	UGD190360RE
2.	RING	URB190RE
3.	COMPLETE SYSTEM	UCS190360RE

## PRING-E 190 SPECIFICATIONS

UPPER BODY DIAMETER	203MM	RING ID	146MM
RING OD	235MM	CASING SIZE	219MM OD X 206MM ID
SYSTEM LENGTH	524MM	SYSTEM WEIGHT	72KG

## PRING-E 190 CASING SHOES



DIA. A	219MM
DIA. B	203MM
DIA. C	192MM
DIA. D	206MM
L	30MM
K	65MM



**PNEUMEC COMPANY LIMITED**

1st Floor, Tin On Sing Comm. Bldg., 41-43 Graham St. Central, H.K.

Tel : (852) 2190 9922

Fax : (852) 2190 9982

Website : [www.pneumec.com](http://www.pneumec.com)

email : [info@pneumec.com](mailto:info@pneumec.com)